



VOKES AIR

Taking small steps together, always ahead, towards a better world

Compatex FP

The superior solution



Compatex FP

The superior solution

APPLICATIONS



Clean Air



Power Generation



Clean Room



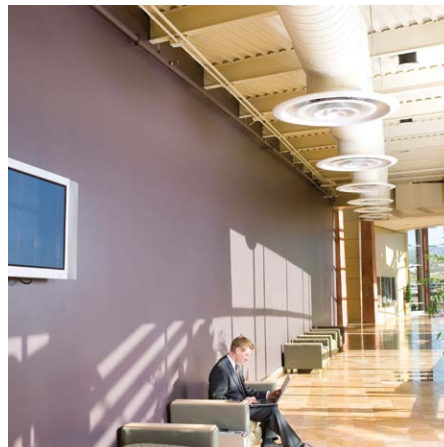
Industrial

KEY FACTS

- ▶ **Large filter surface of up to 20m²**
– provides extremely long service life and air flows up to 5000 m³/h
- ▶ **Glass fibre paper media**
no fibre loss
- ▶ **Cavity profile frame from recycled plastic**
for rigidity and stable performance
- ▶ **Low pressure drop**
reduces energy consumption
- ▶ **Fully incinerable without pollutant emission**
for simple disposal
- ▶ **Constructed from recyclable materials**
environmentally-friendly
- ▶ **Comprehensive range**
suited to a wide range of application
- ▶ **Independently tested**
for assured quality and performance
- ▶ **Self-supporting and rigid**
provides high burst pressure and eliminates dust migration
- ▶ **Multi-directional air flow and installation**
to suit a variety of air handling units

Packing 20 m² of filter media into a robust, space-saving design, Compatex FP provides maximum performance from a minimal size. Thanks to a highly efficient media, pleated into mats and fitted into a rigid self supporting frame, Compatex FP provides an outstanding dust holding capacity, along with a high burst resistance. This ingenious design also eliminates dust migration and fibre loss.

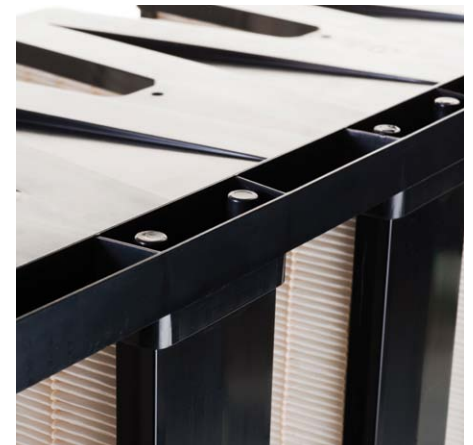
In addition, with a fully incinerable frame constructed from recyclable materials and a low pressure drop which reduces energy consumption, Compatex FP has been designed to minimise its impact on the environment, as well as reducing your CO₂ emissions.



Technical Data

F – NT	FP-	F6-610	F7-610	F8-610	F9-610
Air Flow (normal service life)	m ³ /h	5000	5000	5000	5000
Initial Pressure Drop	Pa	140	155	165	180
Air Flow (long service life)	m ³ /h	4250	4250	4250	4250
Initial Pressure Drop	Pa	99	110	125	145
Filter Class as per EN 779	–	F6	F7	F8	F9
Efficiency (atmospheric), average, EN 779	%	60 – 80	80 – 90	90 – 95	> 95
Arrestance (gravimetric), average, EN 779	%	98 >	99 >	99 >	~ 100
H – NT *	FP-	E10-610	E11-610	E12-610	H13-610
Air Flow V_M (normal service life)	m ³ /h	4250	3400	3400	2500
Initial Pressure Drop V_M	Pa	190	180	290	235
Air Flow V_R (long service life)	m ³ /h	3400	3000	3000	2000
Initial Pressure Drop V_R	Pa	140	155	260	180
Filter Class V_R as per EN 1822 (and EN 779)	–	E10-(F9)	E11	E12	H13
Average Atmospheric Efficiency V_R EN 779	%	98	–	–	–
Min. Initial Efficiency V_R EN 1822 (MPPS-DEHS test)	%	85 >	95 >	99.5 >	99.95 >
Typ. Initial Efficiency V_R EN1822 (MPPS-DEHS-Test)	%	86	96	99.8	99.98
Typ. Initial Efficiency at V_R EUROVENT 4/4 (NaCl-Test)	%	96	99	99.94	99.995

* FP-HT not available in HEPA grades



Application Parameters

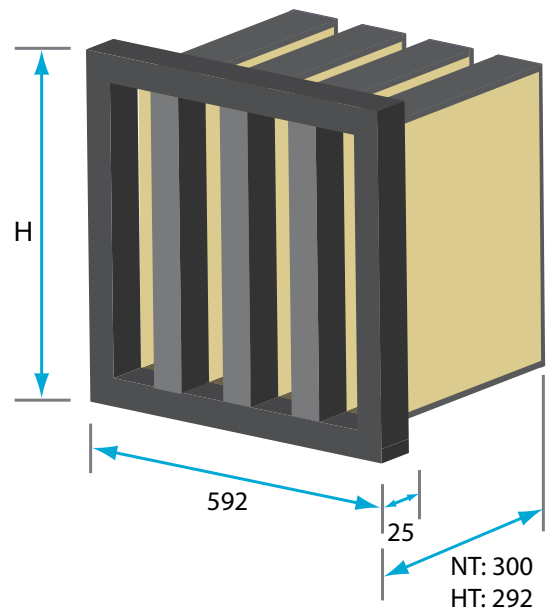
Continuous operating temperature	NT: < 75°C HT: < 120°C
Pressure drop - Recommended final pressure drop - Max. final pressure drop	450 Pa 800 Pa
Bursting pressure (new filter)	F6 – F9: > 1500 Pa E10 – H13: > 2000 Pa
Admissible relative humidity	< 100%

Materials

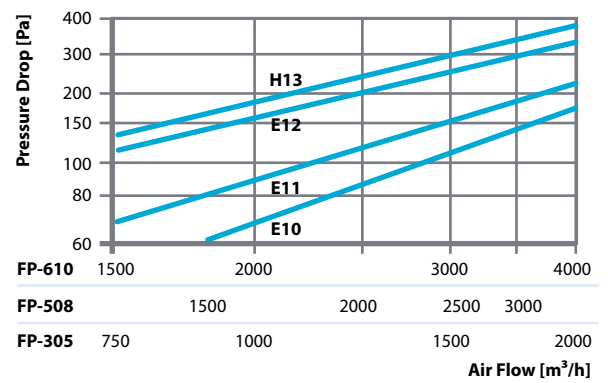
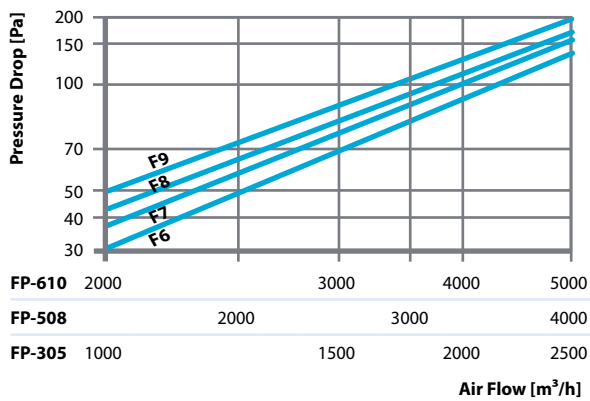
Filter media	F6 – F9: 18m ² glass fibre paper pleated to form mats E11 – H13: 20m ² glass fibre paper pleated to form mats
Frame – NT	Incinerable halogen-free recycled Polystyrol
Frame – HT	Plastic and galvanized steel
Sealant	Polyurethane
Flammability class of materials used	NT: K2/F2 according DIN 53438 HT: K1/F1 according DIN 53438



FP-...	305	420	508	610
Dimension H	287	402	490	592
Weight kg (F)	2.7	3.6	4.2	5.0
Weight kg (H)	3.2	4.4	5.2	6.2



▲ Dimensions (mm)



OUR LOCATIONS

ÖSTERREICH

Tel: +43 (0) 1 698 66 77 0

FRANCE

Tel: +33 (0) 1 64 07 61 25

ITALIA

Tel: +39 022 692 6321

SOUTH AFRICA

Tel: +27 (0) 114 250 470

SVERIGE

Tel: +46 (0) 325 661 600

UNITED KINGDOM

Tel: +44 (0) 1282 413 131

DANMARK

Tel: +45 364 966 00

SCHWEIZ

Tel: +41 (0) 433 992 700

NEDERLAND

Tel: +31 888 653 724

DEUTSCHLAND

Tel: +49 (0) 2339 128 00
oder +49 (0) 6181 9082 01

ESPAÑA

Tel: +34 937 522 718

In view of continuous research and development we reserve the right to modify specifications and dimensions without prior notice. For quoted standards, the issue valid at the print date of this leaflet is relevant.
© Vokes Air • 02/2011 • EN • 0005

www.vokesair.com



Taking small steps together, always ahead, towards a better world