



# VOKES AIR

Taking small steps together, always ahead, towards a better world

## GD-Slim

Filter housing for flat filter pads G2-G3





## GD-Slim

Filter housing for flat filter pads G2-G3

### APPLICATIONS



Clean Air



Power Generation



Clean Room



Industrial

### KEY FACTS

- ▶ **Compact – only 220 mm deep**  
Suitable for use where space is limited
- ▶ **Fitted with secure filter latches**  
To prevent accidental opening
- ▶ **Constructed from galvanised steel**  
For excellent strength and rigidity
- ▶ **Side access door and pressure gauge connection taps**  
Simplifies filter install and maintenance
- ▶ **Both flange and PG joint duct connections available**  
For seamless integration with the ductwork

**Filter housing type GD-Slim is intended for flat filter pads G2-G3. The filter pad is inserted in a metal frame which is slid into a patented U-channel with holding springs and a low friction gasket to secure an air tight filter installation.**

Type GD-Slim is manufactured from galvanized sheet steel provided with an access door on hinges. There are taps for a pressure gauge connection.

For integration with ductwork the housing may be ordered with PG-joint or flanges on in- and outlet.

Sizes – range from 200 x 200 mm to 2100 x 2100 mm in steps of 100 mm

Capacity – 0.03 – 10 m<sup>3</sup>/s

Optional filter types:

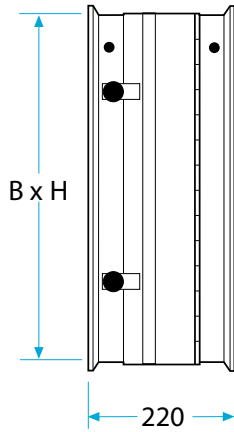
- ▶ G200P G2 max. face velocity 1,5m/s
- ▶ Scandglas, yellow G2 max. face velocity 2,5m/s
- ▶ G300P G3, max. face velocity 1,5m/s
- ▶ HI G3, max. face velocity 2,5m/s
- ▶ T1100 G3 max. face velocity 2,5m/s



## Dimensions - Designs

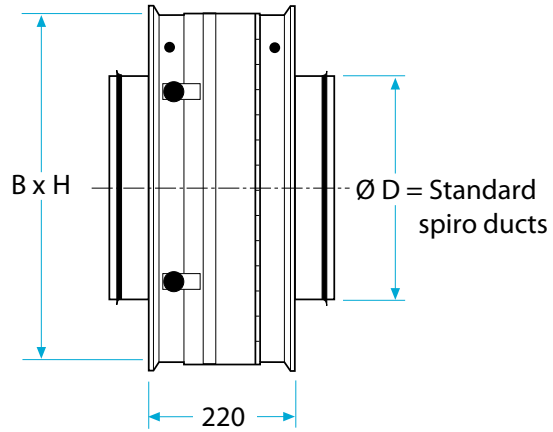
### Type ST

For ductwork application



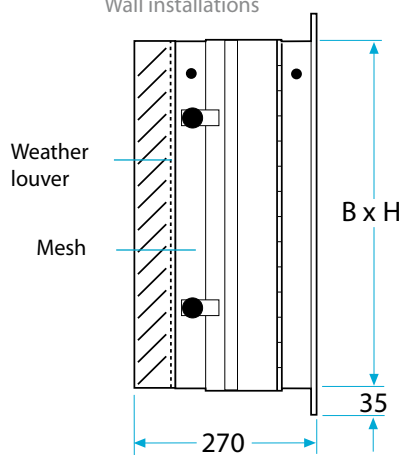
### Type RT

For circular ducts



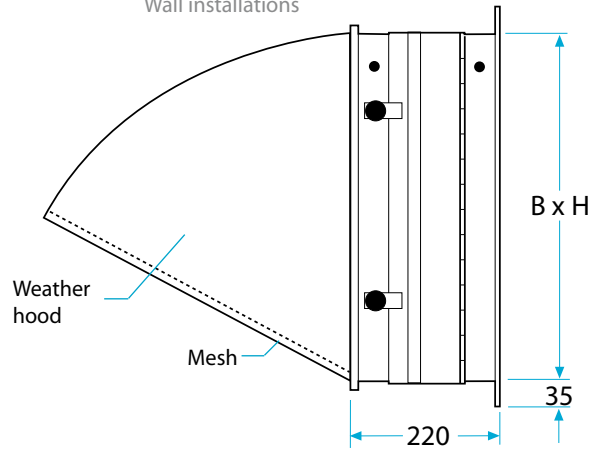
### Type IT

Wall installations



### Type HT

Wall installations



B	H	Nominal Air Flow, m <sup>3</sup> /s
200 - 2100	200 - 2100	0,03 - 10

### Specification for ordering. Example:

Type GD-Slim filter housing size 400 x 500, manufactured from galvanized steel with access door on hinges and taps for a pressure gauge connection. The filter housing shall include a weather hood type HT and a flange for wall installation. Type of filter – T1 100, G3.

## OUR LOCATIONS

---

### ÖSTERREICH

Tel: +43 (0) 1 698 66 77 0

### FRANCE

Tel: +33 (0) 1 64 07 61 25

### ITALIA

Tel: +39 022 692 6321

### SOUTH AFRICA

Tel: +27 (0) 114 250 470

### SVERIGE

Tel: +46 (0) 325 661 600

### UNITED KINGDOM

Tel: +44 (0) 1282 413 131

### DANMARK

Tel: +45 364 966 00

### SCHWEIZ

Tel: +41 (0) 433 992 700

### NEDERLAND

Tel: +31 888 653 724

### DEUTSCHLAND

Tel: +49 (0) 2339 128 00  
oder +49 (0) 6181 9082 01

### ESPAÑA

Tel: +34 937 522 718

In view of continuous research and development we reserve the right to modify specifications and dimensions without prior notice. For quoted standards, the issue valid at the print date of this leaflet is relevant.  
© Vokes Air • 02/2011 • EN • 0050

[www.vokesair.com](http://www.vokesair.com)



Taking small steps together, always ahead, towards a better world