



Pc Cyclone

**Cyclone pre-separator of sparks
and rough powders**

The Pc Cyclone

- 1 Inlet
- 2 Internal Body
- 3 Body
- 4 Cone
- 5 Legs
- 6 Reinforcements
- 7 Bin
- 8 Outlet

Operation

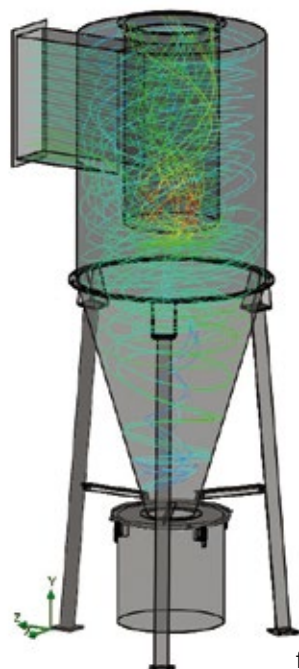
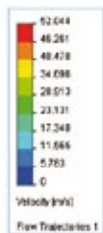
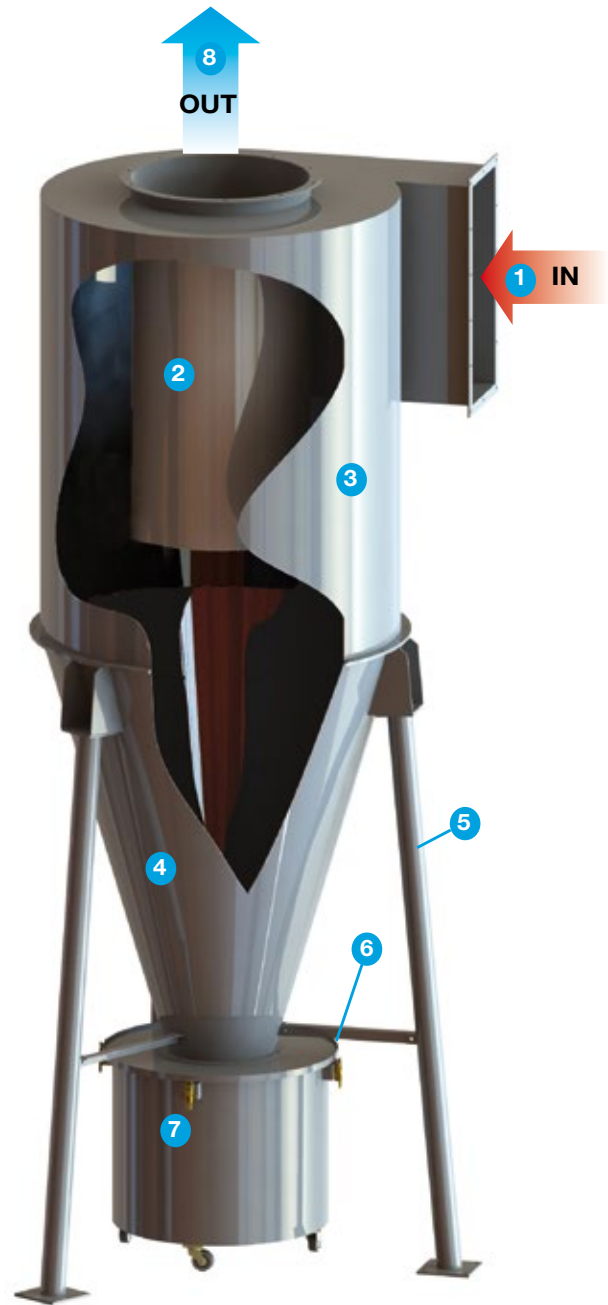
The Pc Cyclone produces the separation of the powders due to inertial forces effect; moreover, it forces the airflow to dedust at an helical motion, on itself, inside of a room in development tapered downward.

The air moved by a fan enters down from above where it is forced to a circular motion between two concentric walls.

It therefore creates into the cyclone a swirling air motion. The solid particles of dust are pushed by centrifugal action against the inner walls of the cylinder body.

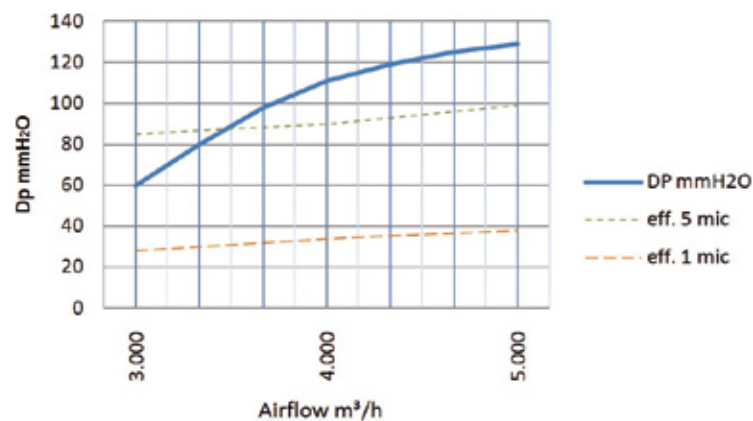
Gradually, and with continuity, they descend down with spiralling motion to the neck of the cyclone to fall within the bin or are discharged through a rotary valve.

We propose to use the PC-Cyclone as pre-dedusting system, combined with our HJL or Pulsatron Compact filters in a wide range of industrial processes where have to be treated rough and dry powders or in the presence of sparks. The load loss in these cyclones varies between 60 and 130 mm H₂O.

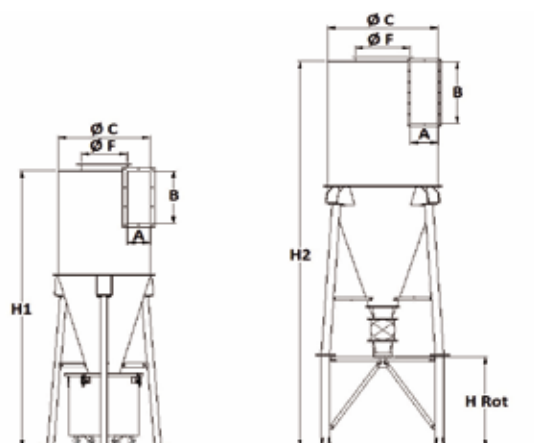


fluid-dynamic analysis

Ciclone Ø 600



The Range



Pc Cyclone with bin

Pc Cyclone with rotary valve

Code-n°	Q Project m ³ /h	Ø C Cyclone mm	IN A x B mm	OUT F Ø mm	H 1 Cyclone Binc.a. mm	H 2 Cyclone rotary valve c.a. mm	H Rotary valve mm
PcCiclone 500	2.800	500	325	120	250	1880	-
PcCiclone 600	4.000	600	390	144	300	2150	-
PcCiclone 700	5.400	700	455	168	350	2380	-
PcCiclone 800	7.100	800	520	192	400	2650	-
PcCiclone 900	9.000	900	585	216	450	3000	-
PcCiclone 1000	11.000	1000	650	240	500	3200	4400
PcCiclone 1200	15.900	1200	780	288	600	3750	4900
PcCiclone 1400	21.600	1400	910	336	700	-	5650
PcCiclone 1600	28.200	1600	1040	384	800	-	6100
PcCiclone 1800	35.700	1800	1170	432	900	-	6650
PcCiclone 2000	44.000	2000	1300	480	1000	-	7150

Applications



Used in various fields of application in combination with our dust collectors Pulsatron Compact and HJL.



A cleaner world.



HASCON FILTRATION S.r.l.
Via Firenze, 69
20025 LEGNANO (MI) - ITALY
Tel. +39 0331 52.74.03
Fax: +39 0331 52.74.84
www.hascon.it